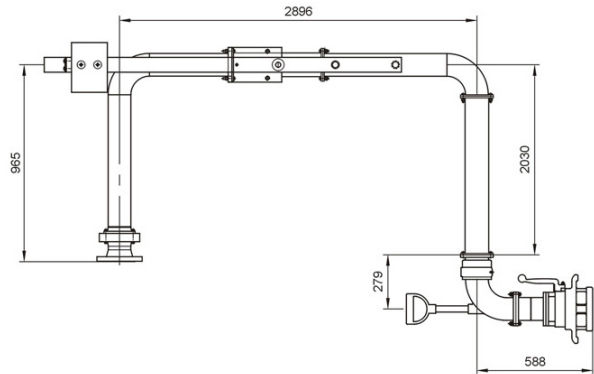


Bottom Loading Arm **JLK**



JLK Bottom Loading Arm is specially designed for the Bottom Loading System Fuel Station. The design and production is according to HG/T 21608-96 Standard, it also can be connected with API RP1004 Coupler to ensure the loading safe and environmental friendly. The quality is reliable and it is passed the long-term test of the filling station.

Benefit and Features

- Slided Balance Counterweight Design**
 To make sure the loading arm in the horizontal line.
- Easy-Adjustment Operation**
 It is more convenient for the coupling, and greatly reducing the installment when the tanker tuck to do the job of loading.
- Complete Equipment**
 Including the loading arm, hoses, jacket for hoses, gasket for the adjustment rotating joint, API Coupler, etc.
- Simple Structure with high quality**
 Easy for maintain.

Technical Data

Max. Working pressure	75Psi / 5bar
Max. Flow rate	600GPM / 135m ³ /H
Temperature range	-30 ~ +80°C
Pressure difference	2-5Psi



Swivel Joint



Self-cut Gauge



SS Hose