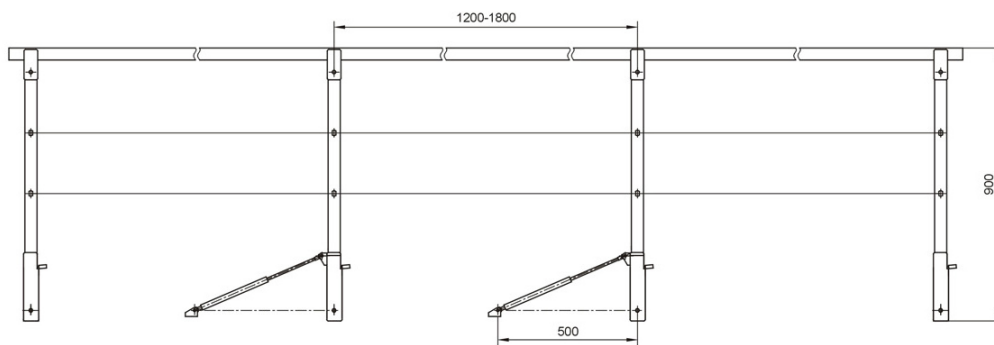


Guard Bar

NEW



It is installed on the top of the tanker, the main body material is aluminum alloy, with gas spring, to ensure the safety when it be open. The width and length can be ordered by users' demand.

Benefit and Features

- Both sides of the guard bar with the plug, it can effective prevent the rain and dusty to enter;
- Two stages connected with the plastic link block, make it more convenience and reliable to be installed;
- With gas spring, it can effectively support the Guard Bar's expansion, against extension;
- There are two cables installed on it, it makes the clearance reduced and ensure operator security.



Guard Bar Link Block



Guard Bar Holder



Plug



Gas Spring



Gas Spring Holder



Guard Bar Cable