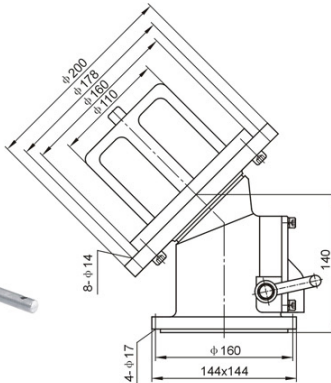




Stainless Steel Bottom Valve With PTFE **HF804A-80**

NEW



- **Nominal diameter:** 3"
- **Open method:** Manual
- **Structure Feature**

The inner wall of valve, spring, press cover and disc is lined with PTFE. It is not only can protect the valve's strength, but also improve the corrosion resistance. It's suitable to transport difference kinds of strong corrosive and poisons medium.



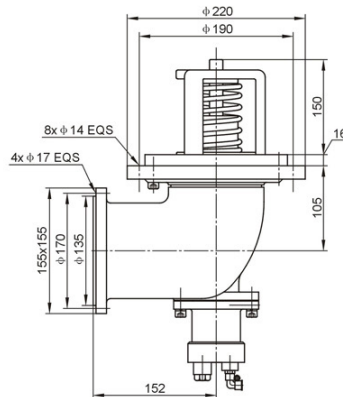
The spring press cover and disc lined with PTFE



Valve body lined with PTFE

Stainless Steel Bottom Valve With PTFE **HF804BQ-100**

NEW



- **Nominal diameter:** 4"
- **Open method:** Pneumatic
- **Structure Feature**

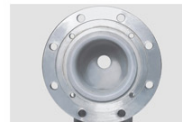
The inner wall of valve, spring, press cover and disc is lined with PTFE. It is not only can protect the valve's strength, but also improve the corrosion resistance. It's suitable to transport difference kinds of strong corrosive and poisons medium.



Cylinder Assembly



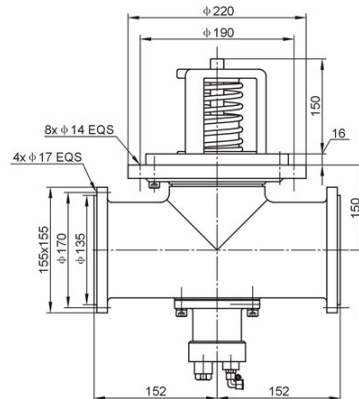
The spring press cover and disc lined with PTFE



Valve body lined with PTFE

Stainless Steel Bottom Valve With PTFE **HF804TQ-100**

NEW



- **Nominal diameter:** 4"
- **Open method:** Pneumatic
- **Structure Feature**

The inner wall of valve, spring, press cover and disc is lined with PTFE. It is not only can protect the valve's strength, but also improve the corrosion resistance. It's suitable to transport difference kinds of strong corrosive and poisons medium.



Cylinder Assembly



The spring press cover and disc lined with PTFE



Valve body lined with PTFE