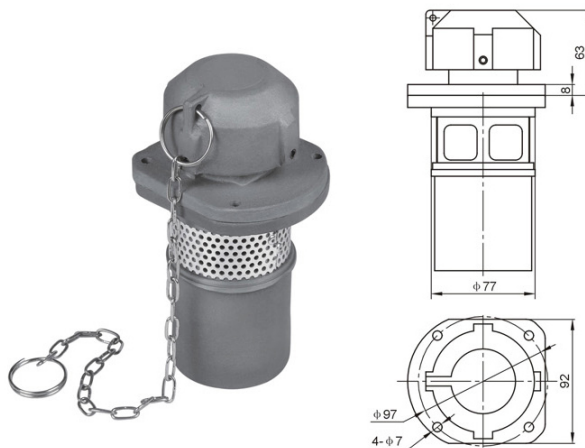
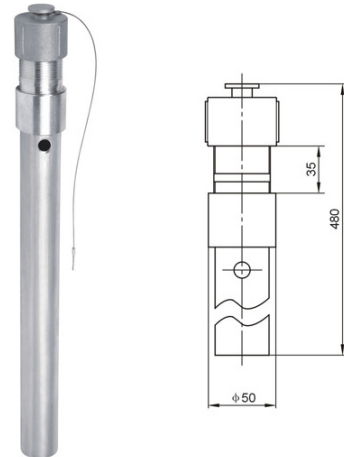


Dip Tube **CLK01**



**CLK02**



Rotary Style Dip Tube **CLK05**



Pedal Style Dip Tube **CLK06**



It is installed on the manhole cover or the top of tanker, for adding the meter to measure the oil Level of tanker inside. With the quick connecting way, easy to operate. With the sealing design, to prevent the liquid overflow from this point.

**Technical Data**

Material	Aluminum Alloy
Temperature range	-20~+70°C

Measurement Rule **L1800**



Length: 1800mm Width: 25mm Thickness: 5mm

**L5000**



Length: 5000mm